



# ***Building a Cardboard Triangle Loom***

© 2008 – Blue Frog ([blue.frog.fiber@gmail.com](mailto:blue.frog.fiber@gmail.com)) for The Warkworth Spinners & Weavers Guild, Warkworth Ontario.

*This document may be copied (photocopied, reproduced, or reprinted); in whole or part for personal, or small group use only. Please contact the above if you wish to use this document on a website or other publication. This document may not be reproduced for commercial use without the express written consent of Blue Frog.*

## Building a Cardboard Triangle Loom

The following steps outline how to build a Triangle Loom out of cardboard. The Triangle Loom will allow you to create a woven scarf measuring 34" x 34" x 48" inches long.

### You will need:

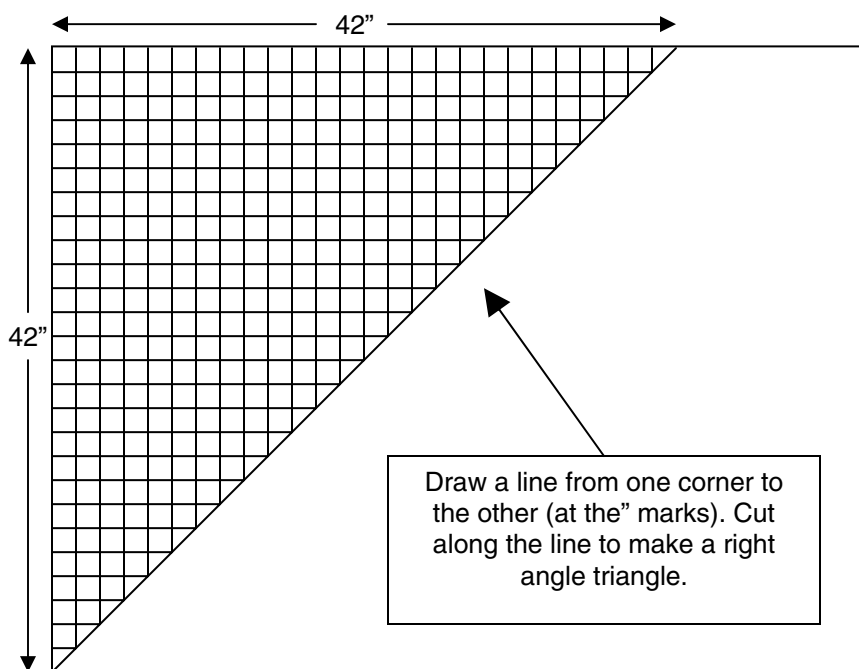
- A piece of cardboard, at least 42" x 42"
- A box of straight pins with ball heads
- A roll of Duct Tape
- An Exacto knife (or similar)
- A pair of scissors
- A yard stick

### Instructions:

1. Use the yard stick to measure out 42 inches on a side, marking off each 1 inch increments.

**NOTE:** It is a good idea to mark the 1" increments in one color (i.e. Red). A second and/or third color will be used for additional marks later.

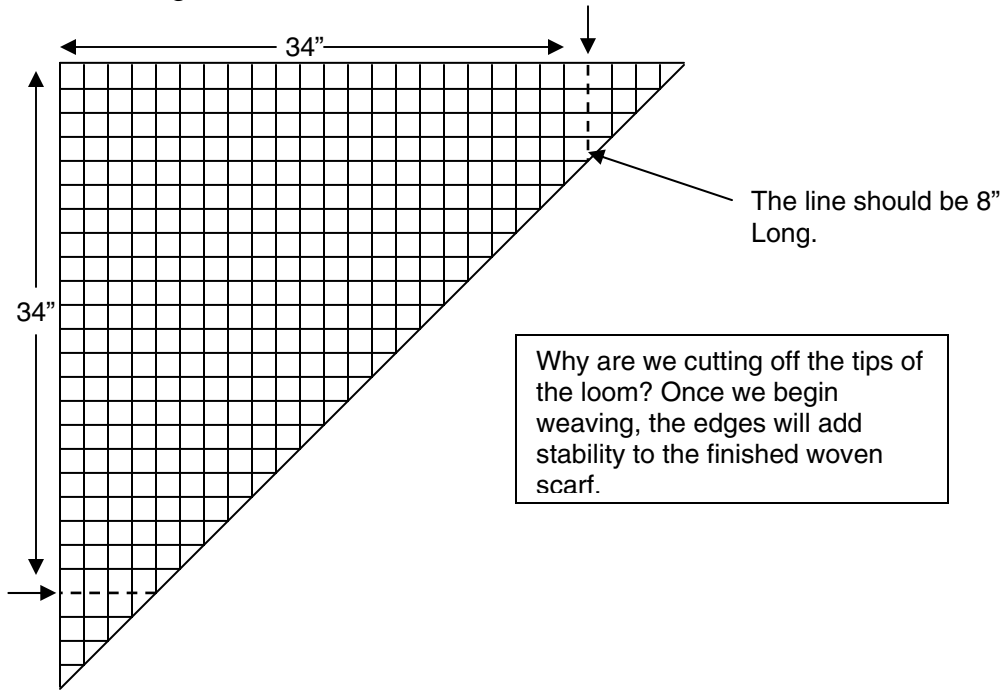
2. Draw a grid along the 1" markings.



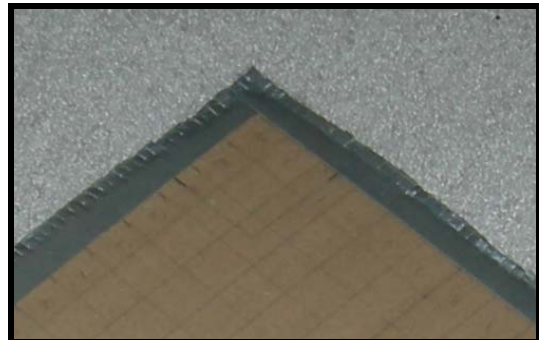
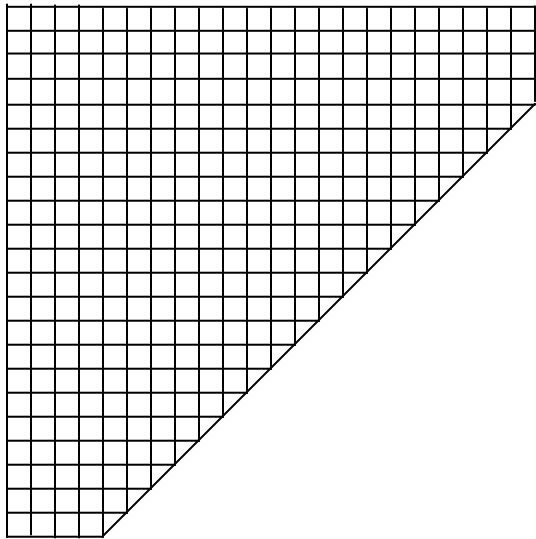
Not to Scale, example only.

3. Draw a line from one corner to the other (at the 42" marks). Cut along the line to make a right angle triangle.

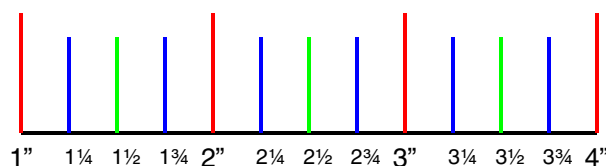
4. Count out 34" per side, and draw another line. Cut off the points of the triangle.



5. Once the tips are cut off, line all sides with Duct Tape. This is important to add strength to the outside edges before weaving begins. Centre the duct tape along the outside edge, and fold over to the underside of the loom.



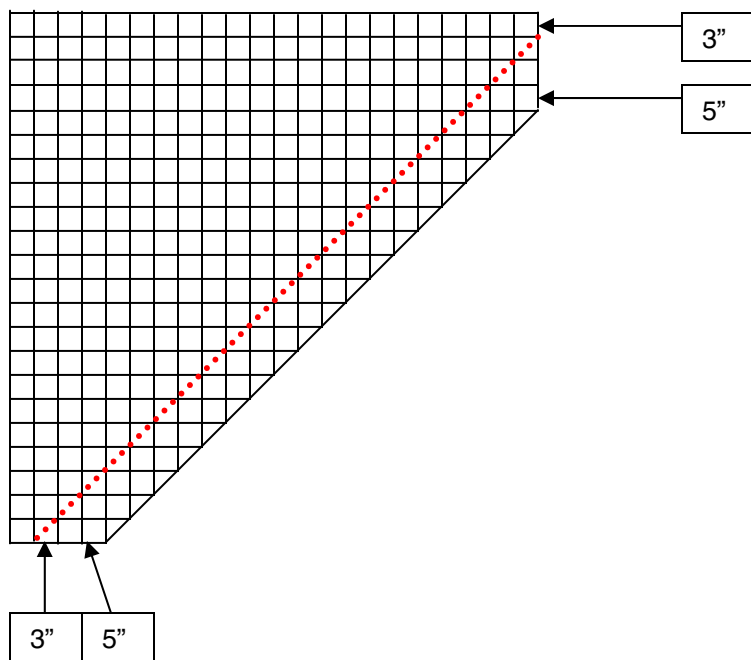
6. Use a ruler or yard stick to mark  $\frac{1}{4}$  increments on each inch along the outer two sides, and two cut off tips of the loom frame (not the long edge).



**NOTE:** It is a good idea to mark the  $\frac{1}{2}$ " increments in one color (i.e. Green), and the  $\frac{1}{4}$ " in another color (i.e. Blue) – this will help when matching up the yarn when weaving.

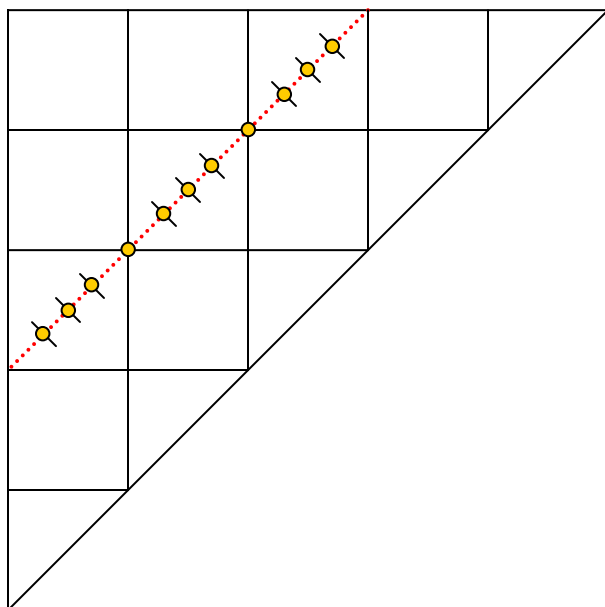
7. Use scissors to cut each mark to about  $\frac{1}{2}$ " deep.

8. Measure and mark the 5" point on both the short ends. Draw a line from one of the marks to the other along the long edge. This will be the line where the pins will be added.



9. Mark the positions for the pins along the newly drawn line. Mark the halfway point of each division. Mark the  $\frac{1}{4}$  mark for each division as well. Insert a pin at each of the marks.

**NOTE:** It may be a good idea to reinforce the underside of the loom where the pins will be positioned, so that they don't poke through the cardboard. Use a couple layers of duct tape, or a long piece of cardboard.



10. Cut a handle into the loom if desired.



***Congratulations! You have built your own cardboard loom – please refer to the instructions for “Weaving on a Cardboard Triangle Loom”.***